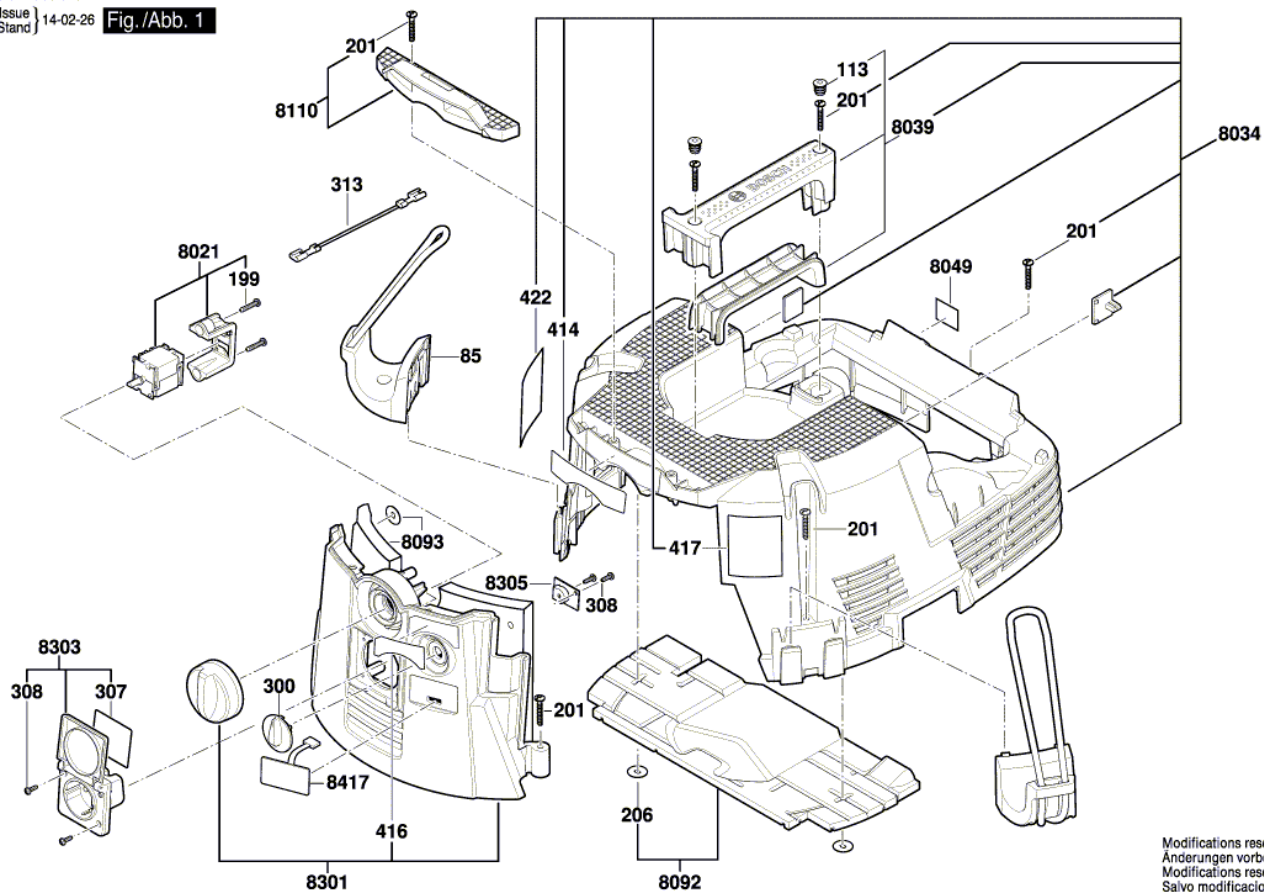




3 601 JC3 510

Issue } 14-02-26 Fig./Abb. 1
Stand }

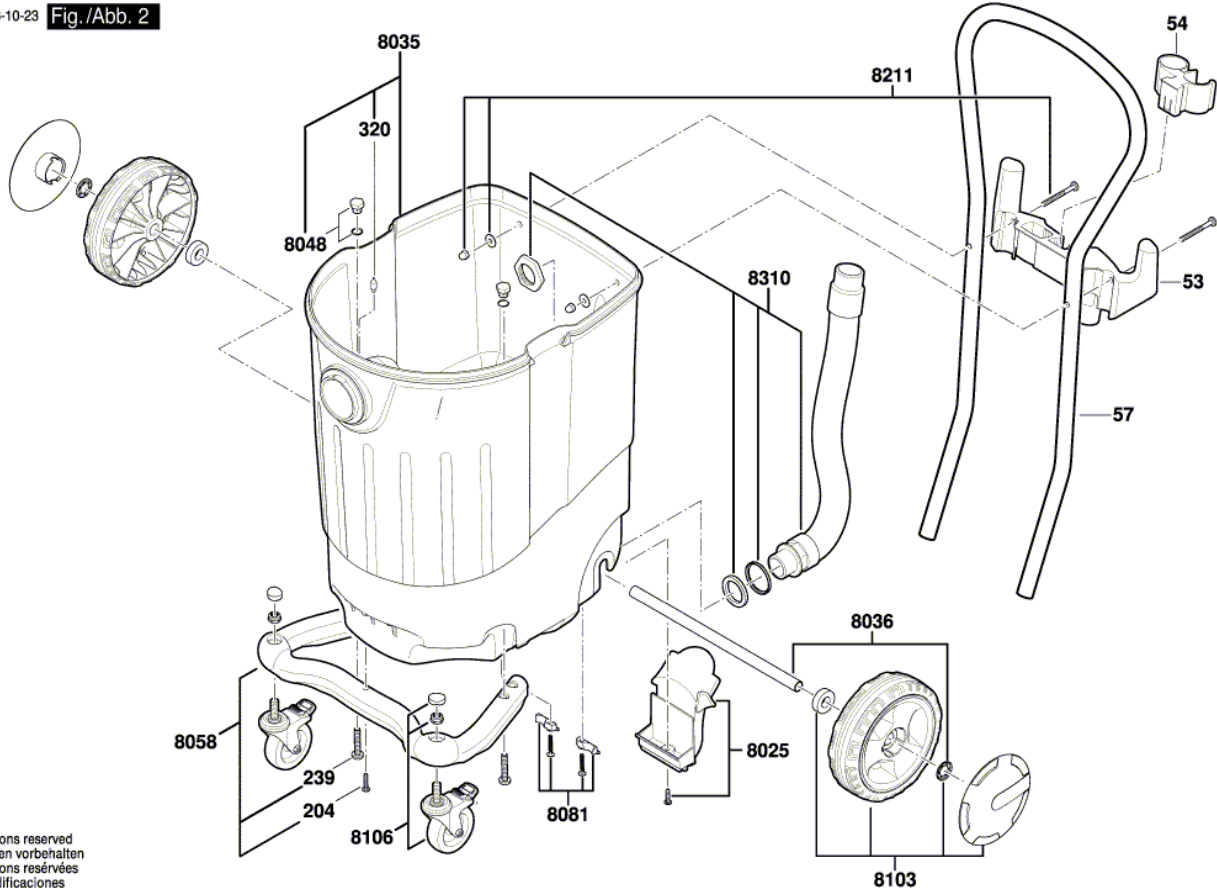
Modifications reserved
Änderungen vorbehalten
Modifications réservées
Salvo modificaciones

**BOSCH** PARTS AND SERVICE ONLINE

1800 W. Central Mount Prospect IL 60056

Tool Number: 3601JC3511
Model Number: VAC140AH

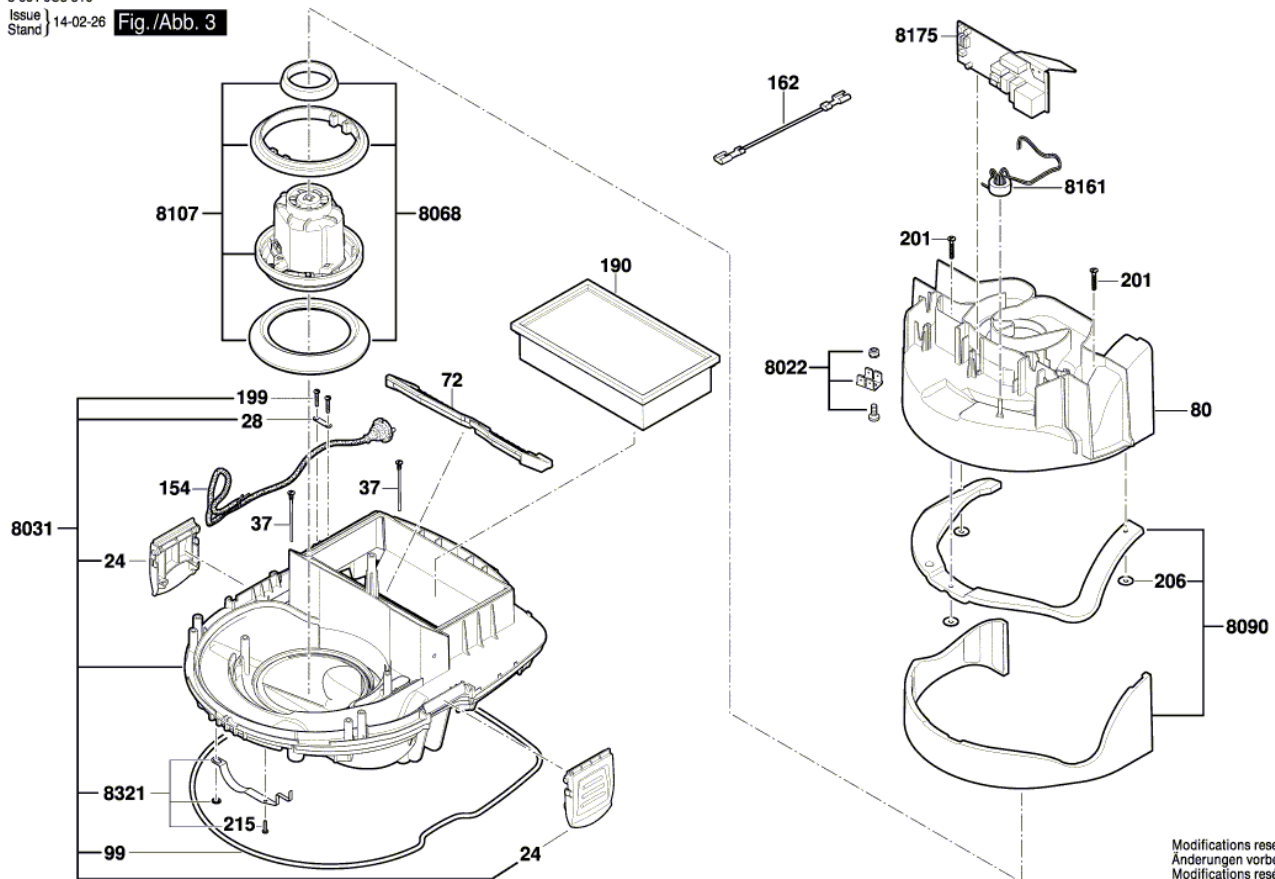
3 601 JC3 510

Issue } 18-10-23 Fig./Abb. 2
Stand }

Modifications reserved
Änderungen vorbehalten
Modifications réservées
Salvo modificaciones



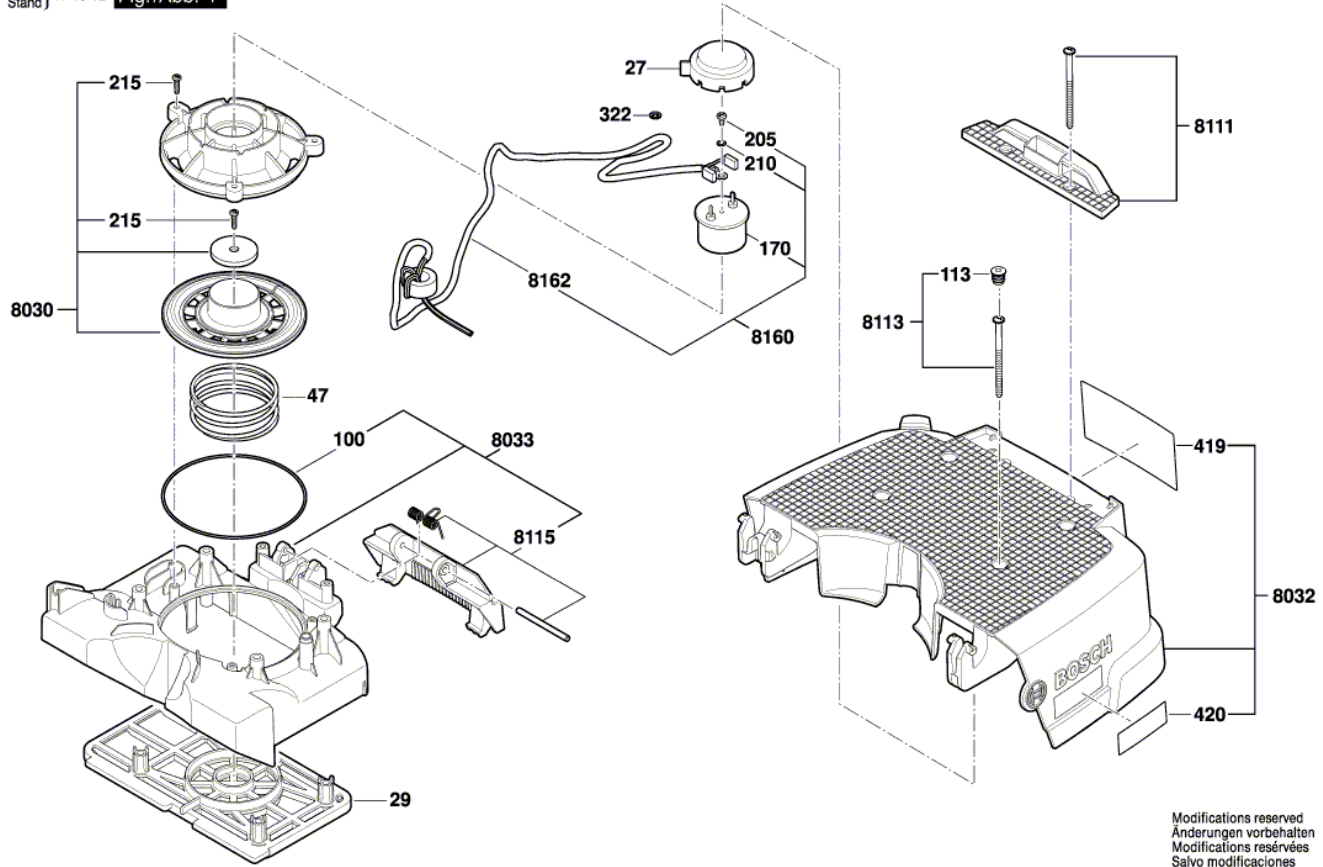
3 601 JC3 510
Issue } 14-02-26 Fig./Abb. 3
Stand }



Modifications reserved
Änderungen vorbehalten
Modifications réservées
Salvo modificaciones



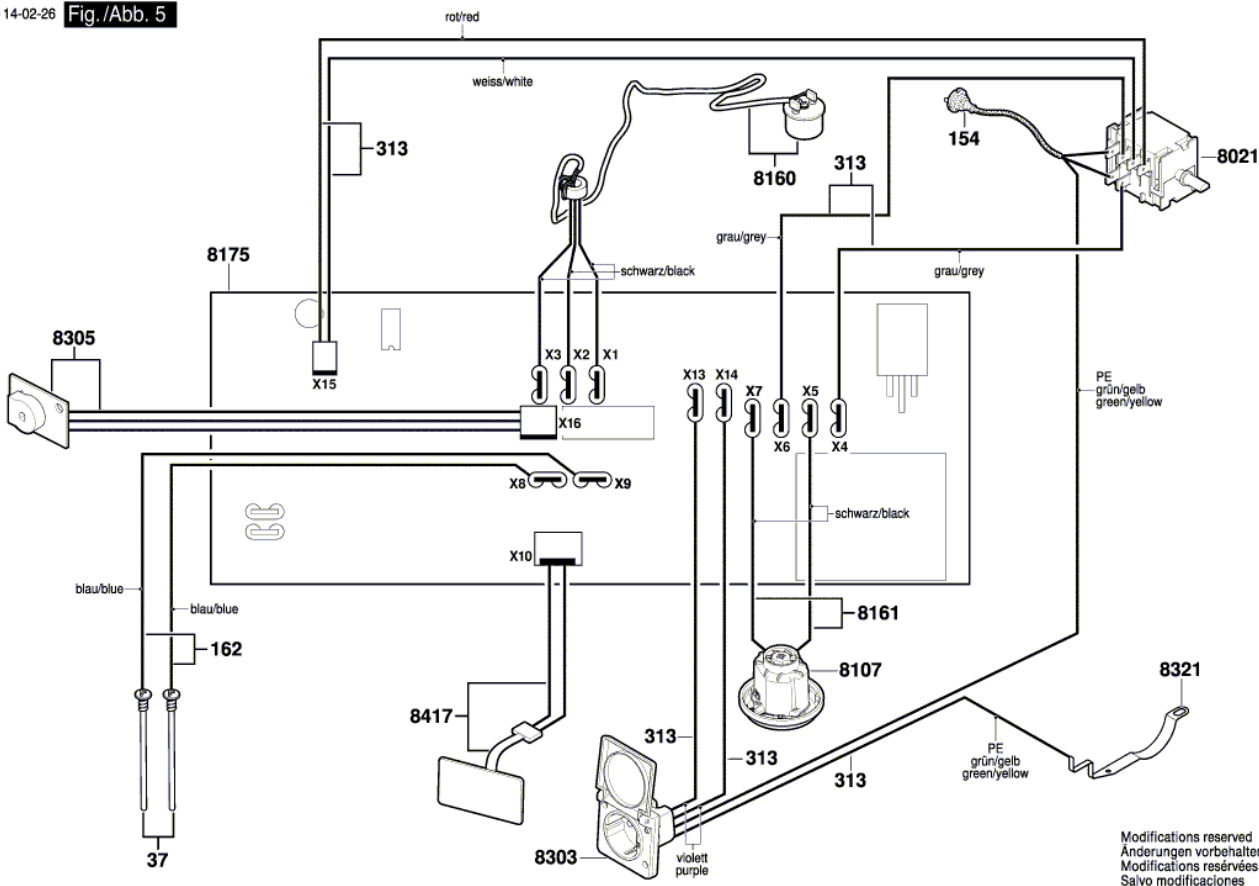
3 601 JC3 510
Issue } 17-10-12 Fig./Abb. 4
Stand }



Modifications reserved
Änderungen vorbehalten
Modifications réservées
Salvo modificaciones



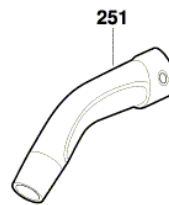
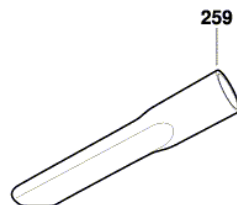
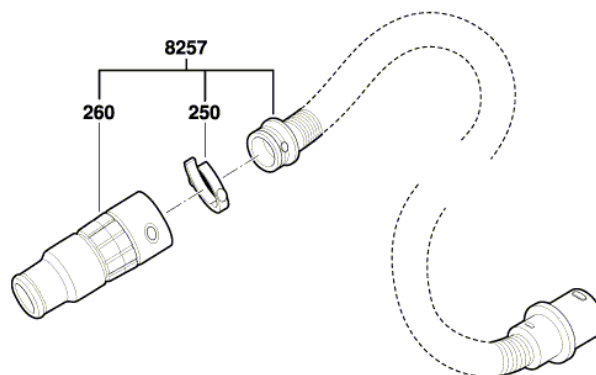
3 601 JC3 510
Issue } 14-02-26 Fig./Abb. 5
Stand }



Modifications reserved
Änderungen vorbehalten
Modifications réservées
Salvo modificaciones



3 601 JC3 510

Issue } 14-02-26 Fig./Abb. 6
Stand }Modifications reserved
Änderungen vorbehalten
Modifications réservées
Salvo modificaciones

**BOSCH** PARTS AND SERVICE ONLINE

1800 W. Central Mount Prospect IL 60056

Tool Number: 3601JC3511
Model Number: VAC140AH

Pos.	Part Number	Description	Pos.	Part Number	Description
24	2 609 200 425	Locking Piece	8081	2 609 200 472	Support
27	2 609 200 401	Magnet	8090	2 609 200 413	Sound Insulation Mat
28	2 609 200 423	Clamping Piece	8092	2 610 033 195	Sound Insulation Mat
29	2 609 200 390	Support	8093	2 610 033 232	Sound Insulation Mat
37	2 609 200 427	Sensor	8103	2 610 033 229	Wheel
47	2 609 200 483	Spring	8106	2 609 200 471	Caster Wheel
53	2 609 200 464	Support	8107	2 610 033 213	Motor
54	2 609 200 465	Support	8110	2 609 200 435	Holder
57	2 609 200 466	Strap-Shaped Handle	8111	2 609 200 407	Holder
72	2 609 200 420	Seal	8113	2 609 200 405	Fastening parts kit
80	2 610 033 209	Motor Housing	8115	2 609 200 393	Filter Cover
85	2 609 200 436	Hose Holder	8160	2 610 033 226	Magnet
99	2 609 200 424	Cord	8161	2 610 033 212	Cable
100	2 609 200 392	O-Ring	8162	1 600 A01 A4P	Cable
113	2 609 200 406	Plug	8175	2 609 200 561	Wafer
154	2 610 033 210	Power supply cord	8211	2 609 200 418	Fastening parts kit
162	2 610 033 211	Cable	8257	2 608 000 A09	Hose
170	2 609 200 555	Magnet	8301	2 610 033 199	Control Panel
190	1 600 A01 317	Filter	8303	2 610 033 197	Socket
199	2 609 200 422	Screw	8305	2 609 200 383	Wafer
201	2 609 200 410	Screw	8310	2 609 200 395	Drainage Fitting
204	2 609 200 470	Screw	8321	2 609 200 428	Spring Housing
205	2 609 200 400	Screw	8417	2 609 200 387	Foil keyboard
206	2 609 200 414	Positioning Element			
210	2 609 200 399	Serrated Lock-Washer			
215	2 609 200 397	Lens Head Screw			
239	2 609 200 469	Screw			
250	2 609 200 454	Clamping Ring			
251	2 609 200 497	Suction Pipe			
259	2 609 200 462	Nozzle			
260	2 609 200 496	Socket			
300	2 609 200 445	Rotary Knob			
307	2 610 033 191	Warning Label			
308	2 609 200 438	Screw			
313	2 610 033 193	Cable			
320	2 609 200 456	Bolt			
322	2 609 200 461	Fastening Part			
414	2 610 033 194	Label			
416	2 610 033 204	Label			
417	2 610 033 206	Warning Label			
419	2 610 034 325	Warning Label			
420	2 610 027 620	Label			
422	2 610 033 205	Warning Label			
8021	2 609 200 388	Switch			
8022	2 610 034 324	Contact			
8025	2 609 200 473	Support			
8030	2 610 033 225	Valve Plate			
8031	2 609 200 493	Housing			
8032	2 610 034 327	Housing Cover			
8033	2 609 200 391	Cover			
8034	2 610 033 020	Housing			
8035	2 610 033 231	Dust Chamber			
8036	2 609 200 458	Axle			
8039	2 609 200 444	Handle			
8048	2 609 200 468	Fastening parts kit			
8049	2 610 047 953	Nameplate			
8058	2 609 200 419	Caster Wheel			
8068	2 609 200 431	Seal Kit			